



Portable Wash-Ware® PS1000 Series
Deluxe Portable Hand-Wash Station



PS1030 - PS1000-PH3 - PS1000-TR - PS1000-F21



PS1030 - PS1000-F21

Fixture May Show Some Available Accessories

Please visit www.acorneng.com for most current specifications.

Deluxe Portable Hand-Wash Station

Acorn's Deluxe Portable Hand-Wash Station instantly provides hand washing capability and is ideal for use in Emergency Triage Facilities, remote locations, and the entrance to public buildings and restaurants of all types. Certain units may also be configured for outdoor use. Water source may be self contained using the Fresh Water Storage Tank or from a plumbed water supply connection such as a Hose Valve.

Self Contained Model PS1010, allows for hand washing without a plumbed water supply source or waste outlet. Water to the (optional) Gooseneck Spout is provided from a 5-Gallon Fresh Water Storage Tank. Flow from the Tank to the Spout is created with a Manually Operated Foot Pump. A 6-Gallon removable Wastewater Tank is also provided.

Self Contained Model PS1030 and PS1042, allows for hand washing without a plumbed water source however, with available electrical. Water to the Faucet is provided from a 5-Gallon Fresh Water Storage Tank. Pressurized flow from Tank to Spout is from a 110VAC Plug-in, On-Demand Pump. Model PS1042 includes a UL listed Mini Tank Water Heater which provides Hot Water to a Thermostatic Mixing Valve to deliver tempered water supply. The Mixing Valve is ASSE 1069/1070 Certified for scald protection. The Tank meets Lead-Free Standards and plugs into a 110-120VAC, 15 Amp receptacle.

Water Supply Models PS1015, PS1020 and PS1021 rely on an existing plumbed, potable water source such as a Hose Valve. A 6-Gallon Wastewater Tank (PS1015, PS1020) or Hose connection is provided. Model PS1021 includes Flood prevention.

Water Supply with Electric Water Heater Model PS1040 and PS1041, provide user with Tempered Water using an existing fresh water source. A UL listed Mini Tank Water Heater provides Hot Water to a Thermostatic Mixing Valve to deliver tempered supply. The Mixing Valve is ASSE 1069/1070 Certified for scald protection. The Mini Tank meets Lead-Free Standards and conveniently plugs into a 110-120VAC, 15 Amp receptacle. Model PS1041 includes Flood Prevention.

Flood Prevention Models PS1021 and PS1041 eliminate accidental overflow of the 5-Gallon Wastewater Tank. Units include a platform inside the Cabinet to sense the Wastewater Tanks weight to shut off the water supply to the Spout when the Tanks capacity is reached. This alerts users to empty the Tank, which resets the Control Valve for continued use.

Optional Gooseneck Faucet selections include a Battery-Operated Hands-Free Sensor, Wrist Blade, or Lever Handle control. A Gooseneck Spout is optionally available when the unit is specified with the Foot and Electric Pump models. All faucets are single temperature supply, meet NSF and Lead-Free Standards and include a 0.5 GPM (1.9 LPM) Flow Control.

Wastewater removal from the Wash Station for all units is based on the site conditions and is accomplished using either a removable 6-Gallon Wastewater Tank or Waste Hose with 3/4" Female Hose Threaded outlet. Fresh Water Tanks and Wastewater Tanks are optionally available for additional storage to reduce filling or dumping.

Portable Hand-Wash Cabinet is fabricated of type 304 stainless steel with exposed surfaces polished to a #4 satin finish. A hinged door with Magnetic Door Latch allows access to plumbing and storage components. Oval Lavatory Bowl is 14-1/2" x 9-1/2" x 6" deep, and fabricated from heavy gage type 304 stainless steel, which is polished to a #4 satin finish. A removable grid strainer drain is provided. Cabinet rim height is available in a 31" -JH Junior Height option. The cabinet includes handles and 3" diameter Swivel Casters for easy mobility with Brake Levers to keep unit stationary during use.

Portable Wash-Ware® PS1000 Series: Portable Hand-Wash Station



MODEL NUMBER AND OPTIONS SELECTION

BASE MODEL NUMBER: (Faucet Not Included)

Self Contained Models

- PS1010** Foot Pump (Manually) Operated, Fresh Water Tank, Wastewater Tank
- PS1030** On-Demand Plug-In Pump, Fresh Water Tank, Wastewater Tank
- PS1042** On-Demand Plug-In Pump, Fresh Water Tank, Water Heater, Waste Hose

Water Supply Required Models

- PS1015** Hose Supply, Hose Waste
- PS1020** Hose Supply, Wastewater Tank
- PS1021** Hose Supply, Wastewater Tank, Flood Prevention Feature
- PS1040** Hose Supply, Water Heater, Wastewater Tank
- PS1041** Hose Supply, Water Heater, Wastewater Tank, Flood Prevention Feature

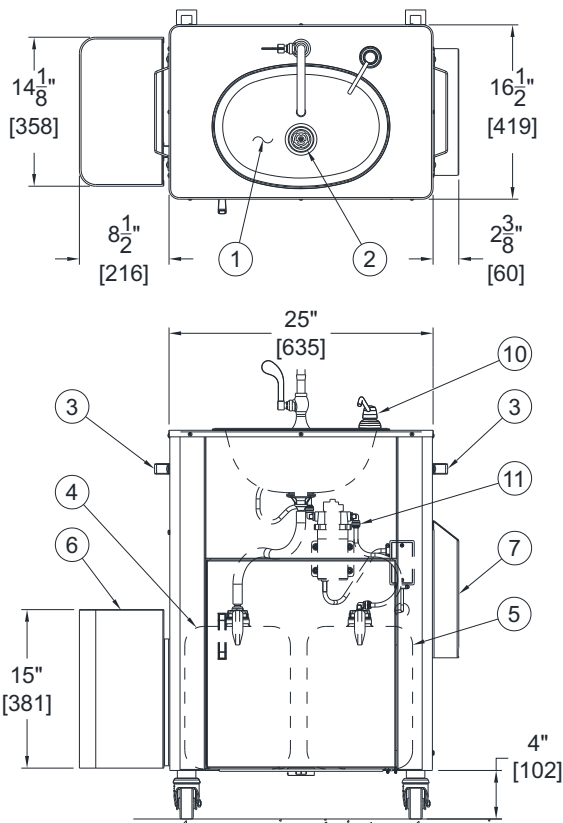
Faucet / Spout Selection (Optional)

- PS1000-F11** Gooseneck Spout (Only) (Model PS1010)
- PS1000-F21** Gooseneck, Wrist Blade Handle
- PS1000-F31** Gooseneck, Battery Sensor Operated
- PS1000-F40** Gooseneck, Single Handle

Options and Accessories

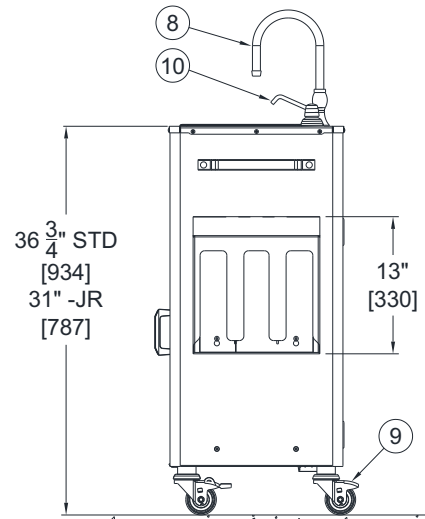
- JR 31" Junior Rim Height
- PS1000-PH3 3-Bay C-Fold Paper Holder
- PS1000-PS Pump Soap Dispenser
- PS1000-SSO Sensor Operated Soap Dispenser
- PS1000-TR 6-Gallon Trash Receptacle
- PS1000-SG Wrap Around Splash Guard
- PS1000-SG1 Wrap Around Splash Guard, 2-Bay Paper Holder and Soap Bottle Holder
- PS1000-SG2 Wrap Around Splash Guard, 2-Bay Paper Holder
- PS1000-5GF 5-Gallon (19 Liter) Fresh Water Tank (PS1010, PS1030)
- PS1000-5GW 5-Gallon (19 Liter) Wastewater Tank (PS1021, PS1041)
- PS1000-6GW 6-Gallon (23 Liter) Wastewater Tank (PS1010, PS1020, PS1030, PS1040)
- WH-DECAL 10" Sticky Decal "Wash Your Hands"

Please visit www.acorneng.com for most current specifications.



NOTES:

1. OVAL BOWL
2. REMOVABLE GRID STRAINER
3. CART HANDLES (INCLUDED)
4. WASTEWATER TANK
5. FRESH WATER TANK
6. OPTIONAL PS1000-TR TRASH RECEPTACLE
7. OPTIONAL PS1000-PH3 PAPER HOLDER
8. OPTIONAL PS1000-F12 GOOSENECK FAUCET
9. (4) 3" DIA CASTERS (BRAKE LOCKS ON FRONT)
10. OPTIONAL PS1000-PS PUMP SOAP DISPENSER
11. ON-DEMAND WATER PUMP (MODEL PS1030)



MODEL PS1030 (See notes for options shown)

WARNING: Cancer and Reproductive Harm - www.P65Warnings.ca.gov

<p>Important: Installation instructions and current rough-in are furnished with each fixture. Do not rough in without certified dimensions. Dimensions are subject to manufacturer's tolerance of plus or minus 1/4" and change without notice. Acorn assumes no responsibility for use of void or superseded data. © Copyright 2007 Acorn Engineering Company</p>	
<p style="text-align: center;">Selection Summary</p> <p>Model No. & Option _____</p> <p>Quantity _____</p>	<p style="text-align: center;">Approved for Manufacturing</p> <p>Company _____ Title _____</p> <p>Signature _____ Date _____</p>